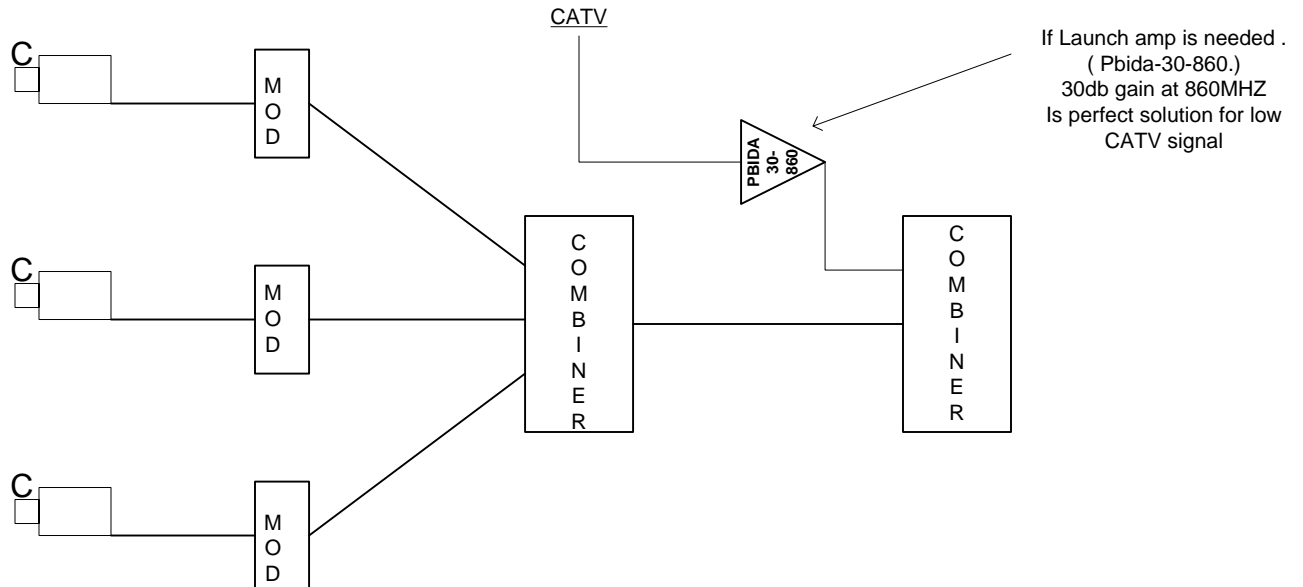



Most CATV signal is 0db to 15db.
 If using 50db Mods may need to Amp Incoming signal.



NOTE: Mods need to be set to unused channel frequency

	Company: Pace Electronics	Client:	Terminate ALL Unused ports	Security Cameras Modulated into Distribution System
		Drawn By: Steve Schwoch		